



BD neXus Infusion Solutions

Product Catalogue





Who are BD?

BD is a global medical technology company that is *advancing the world of health™* by improving medical discovery, diagnostics and the delivery of care. BD is leading in patient and healthcare worker safety and the technologies that enable medical research and clinical laboratories. We provide innovative solutions that help advance medical research and genomics, enhance the diagnosis of infectious disease and cancer, improve medication management, promote infection prevention, equip surgical and interventional procedures and support the management of diabetes. BD offers infusion and intravenous (IV) therapy systems, solutions and devices including pumps, software, interoperability, IV sets and detachable components.

There for you - service and support

Our team of skilled, dedicated and passionate clinicians and technicians support healthcare workers using our devices.

Our commitment to you



Technical Support

Our field-based technical service team is the centre of excellence for the repair, service and calibration of your devices. Our qualified engineers have a complete understanding of the device, down to component level, and are able to offer the highest levels of quality when servicing or repairing your devices. We also have a dedicated UK based repair & service centre to allow greater flexibility for your technical support needs.



Clinical Support and Education

To ensure our products are safe and easy to use for patients and clinicians, our team of trained professionals offer device user training. To support the provision of safe and efficient care in hospital our dedicated, knowledgeable and attentive customer support team is committed to getting it right, on time, first time, every time.



Patient Safety

At BD, we are committed to patient and medication safety. We understand that each and every healthcare provider is unique, and we have the knowledge, insight, skills and experience to support our customers with improving patient safety.



Sustainability

At BD, we're Advancing the World of Health™. This purpose drives our business as well as the way we approach environmental, social and governance (ESG) priorities. Through our ESG strategy we embrace the connectivity between the health of our company, the planet, our communities and the people we serve to realise a healthy, resilient world for all.

Table of contents

6	BD neXus Infusion Solution
6	BD neXus V700 Volumetric Pump
6	BD neXus S700 Syringe Pump
6	BD neXus DS700 Infusion Workstation
7	BD neXus Software
8	BD neXus Medication Safeware
9	BD neXus Volumetric Pump Sets
10	Volumetric Pump Sets
12	BD neXus Detachable Components
13	Drop Sensor
13	Nurse Call
14	BD neXus Spare Parts
16	BD neXus V700 Infusion Pump
18	BD neXus S700 Syringe Pump
21	BD neXus DS700 Infusion Workstation
24	BD neXus Medication Safeware
25	BD neXus Directions For Use

BD neXus Infusion Solution



BD neXus V700 Volumetric Pump

The BD neXus V700 Volumetric Pump provides continuous or intermittent infusion of parenteral fluids and/or drugs to treat a variety of medical conditions and may be used on neonatal, paediatric and adult patients. The pump supports IV administration in the following modes: BD Guardrails™, ml/h, Loading Dose, Multistep, TPN and Hand Over.



Order Code

REF	V700-00
-----	----------------

BD neXus S700 Syringe Pump

The BD neXus S700 Syringe Pump provides continuous or intermittent infusion of parenteral fluids and/or drugs to treat a variety of medical conditions and may be used on neonatal, paediatric and adult patients. The pump supports IV administration in the following modes: Guardrails™, ml/h, Loading Dose, Multistep, TPN and Hand Over.



Order Code

REF	S700-00
-----	----------------

BD neXus DS700 Infusion Workstation

The BD neXus DS700 Infusion Workstation provides mounting, power and communications support to the BD neXus V700 Volumetric Pump and the BD neXus S700 Syringe Pump. The BD neXus DS700 Infusion Workstation has two parts: the Control Unit and the Stacking Unit. This modular plug-in structure design supports a configuration that allows up to three (3) Stacking Units to be connected to one Control Unit to support any combination of up to 12 BD neXus pumps. Each stacking unit is equipped with a separate AC-DC power module and enables management of IV sets to be neat and organised.



Order Code

REF	DS700-00 Control Unit
-----	------------------------------

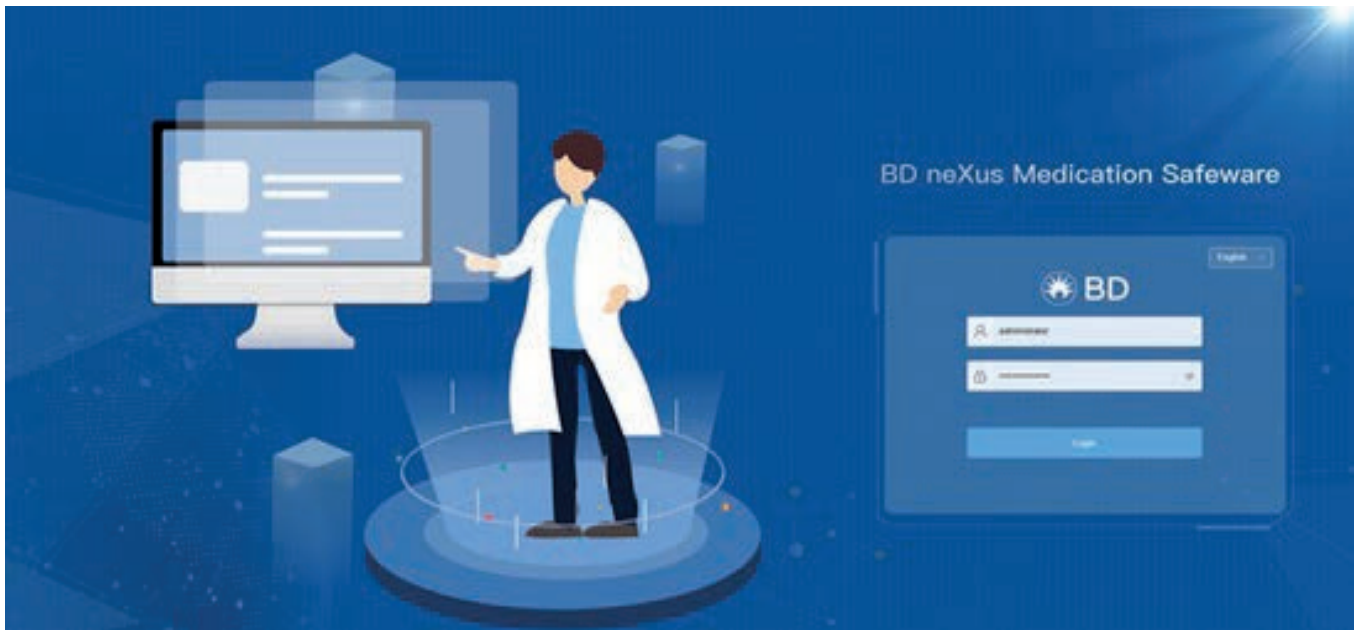
REF	DS710-00 Stacking Unit
-----	-------------------------------

BD neXus Software



BD neXus Medication Safeware

BD neXus Medication Safeware is a software application that can be used with both the BD neXus volumetric and syringe pumps. The BD neXus Medication Safeware allows you to develop a drug library of IV medication following best practices, configure general pump settings, upgrade software and transfer datasets to the pumps as well as download fluid and event logs.



Order Code

PN **IP20B-CTO-02**

11990009501 (UART Cable Used for connecting to Medication Safeware)



BD neXus
Infusion Sets

Volumetric Pump Sets

General Admin	PVC Alternate	Light Resistant	Burette
---------------	---------------	-----------------	---------



	A211M1F	A211M	A311M	A221M1F	A212M1F
Tubing material	PVC*	PVC*	TPE*	PVC – Light resistant*	PVC*
Y-port needle-free	1	No	No	No	1
In-Line filter	No	No	No	No	No
Distal connection	Vented spike DC 15 µm filter	Vented spike DC 15 µm filter	Vented spike DC 15 µm filter	Vented spike DC 15 µm filter	Vented spike DC 15 µm filter
Clamp	Roller, anti-free flow clamp and pinch	Roller and anti-free flow clamp	Roller and anti-free flow clamp	Roller and anti-free flow clamp	Roller, anti-free flow clamp and pinch
Priming volume	25 mL	23 mL	25 mL	24 mL	22 mL
Approx. length	265 cm	265 cm	265 cm	265 cm	275 cm
Qty per box	50	50	50	50	50

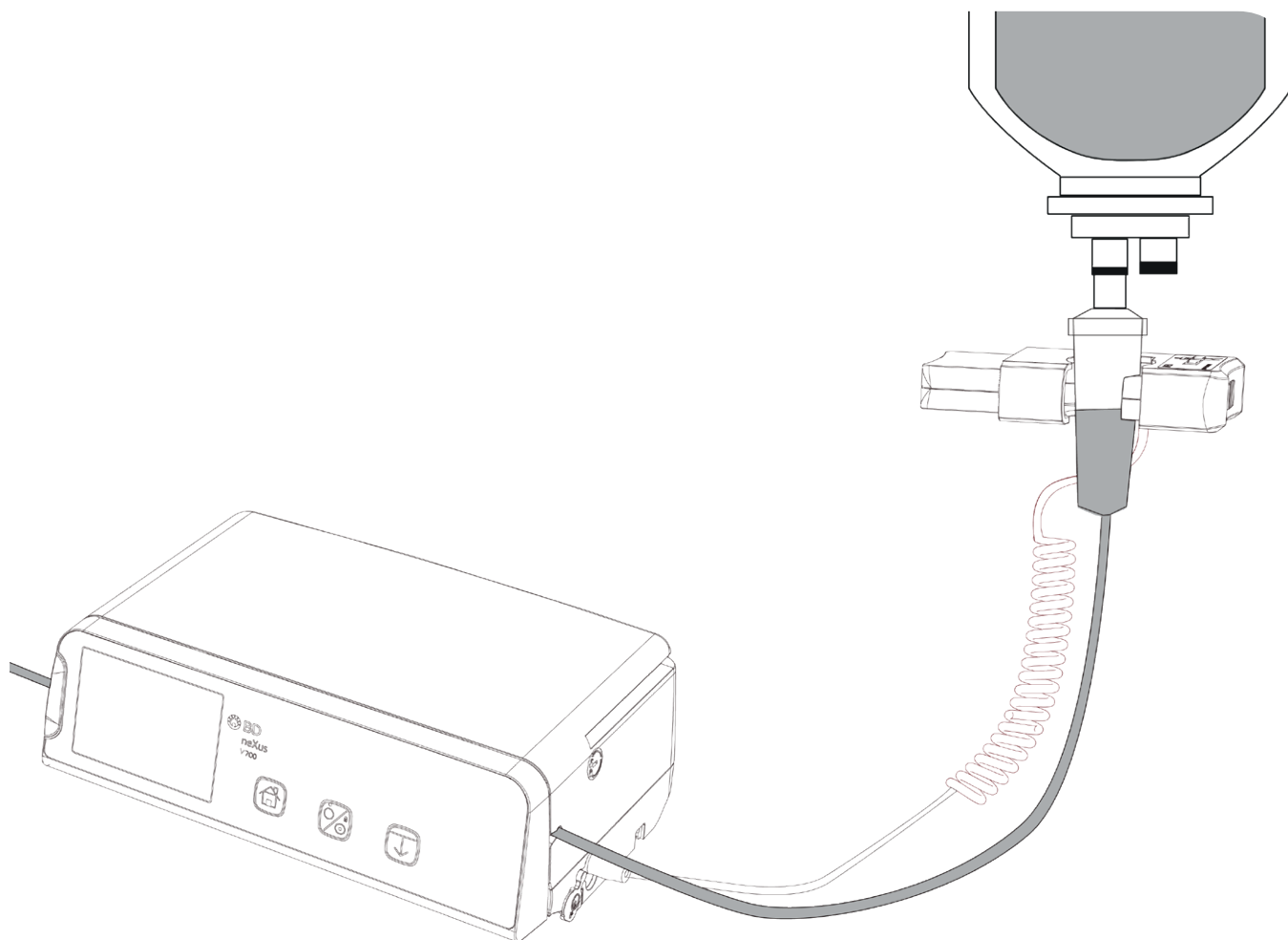
Volumetric Pump Sets



	AM-TS-00	A221M121F	A311M021F	A211M5F1	A311M5F1
Tubing material	PVC*	PVC – Light resistant*	TPE*	PVC*	PVC- Light resistant*
Y-port needle-free	No	2	2	Multiway (5)	Multiway (5)
In-Line filter	No	1.2µm	0.2µm	No	No
Distal connection	Vented spike with 200µm transfusion filter	Vented spike DC 15 µm filter	Vented spike DC 15 µm filter	Vented spike DC 15 µm filter	Vented spike DC 15 µm filter
Clamp	Roller and anti-free flow clamp	Roller, anti-free flow clamp and pinch	Roller, anti-free flow clamp and pinch	Roller, anti-free flow clamp and 2 pinch	Roller, anti-free flow clamp and 2 pinch
Priming volume	27 mL	27 mL	27 mL	21 mL	21 mL
Approx. length	270 cm	270 cm	270 cm	270 cm	270 cm
Qty per box	50	50	50	50	50

*DEHP and natural rubber latex are not part of the material formulation

BD neXus Detachable Components

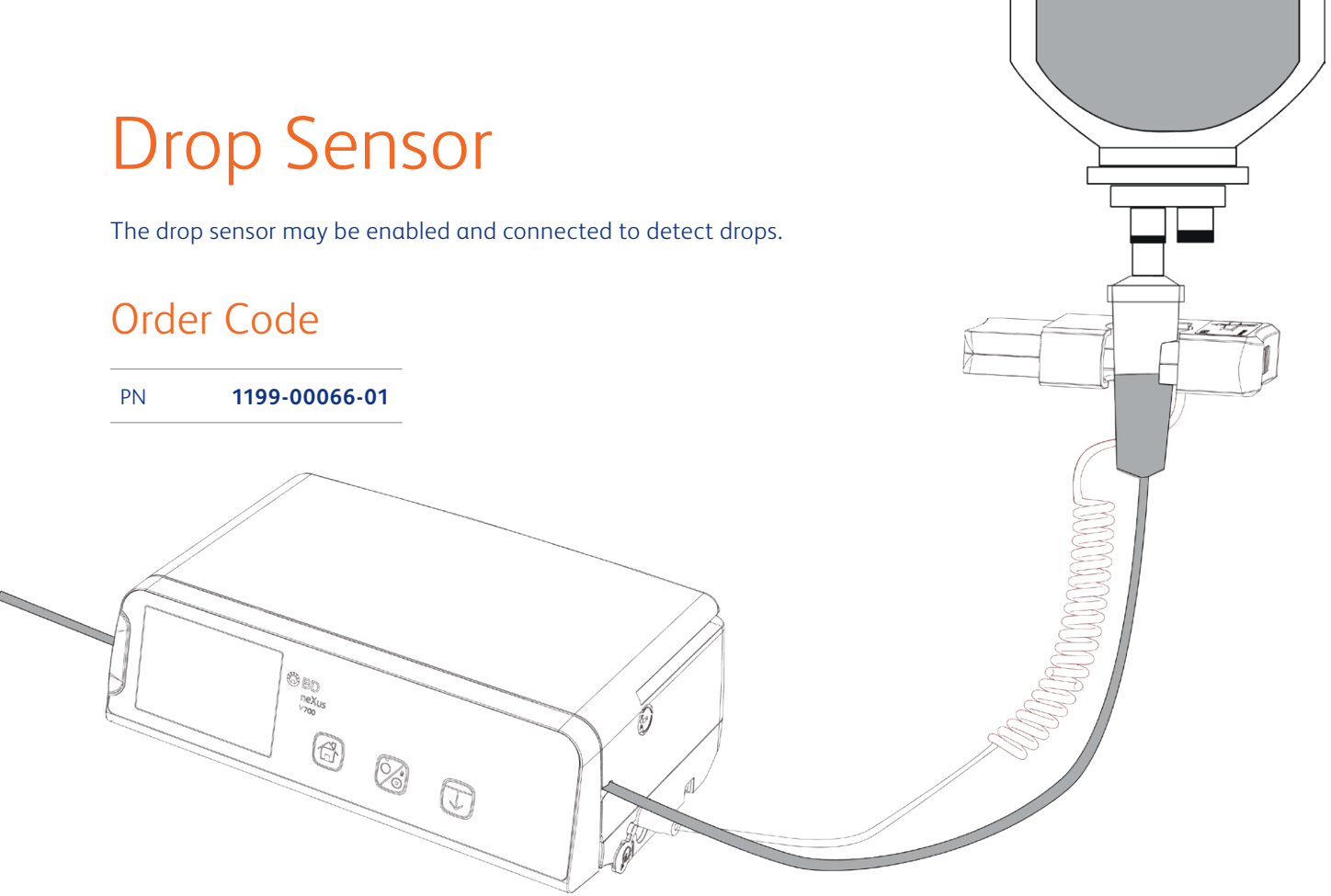


Drop Sensor

The drop sensor may be enabled and connected to detect drops.

Order Code

PN **1199-00066-01**

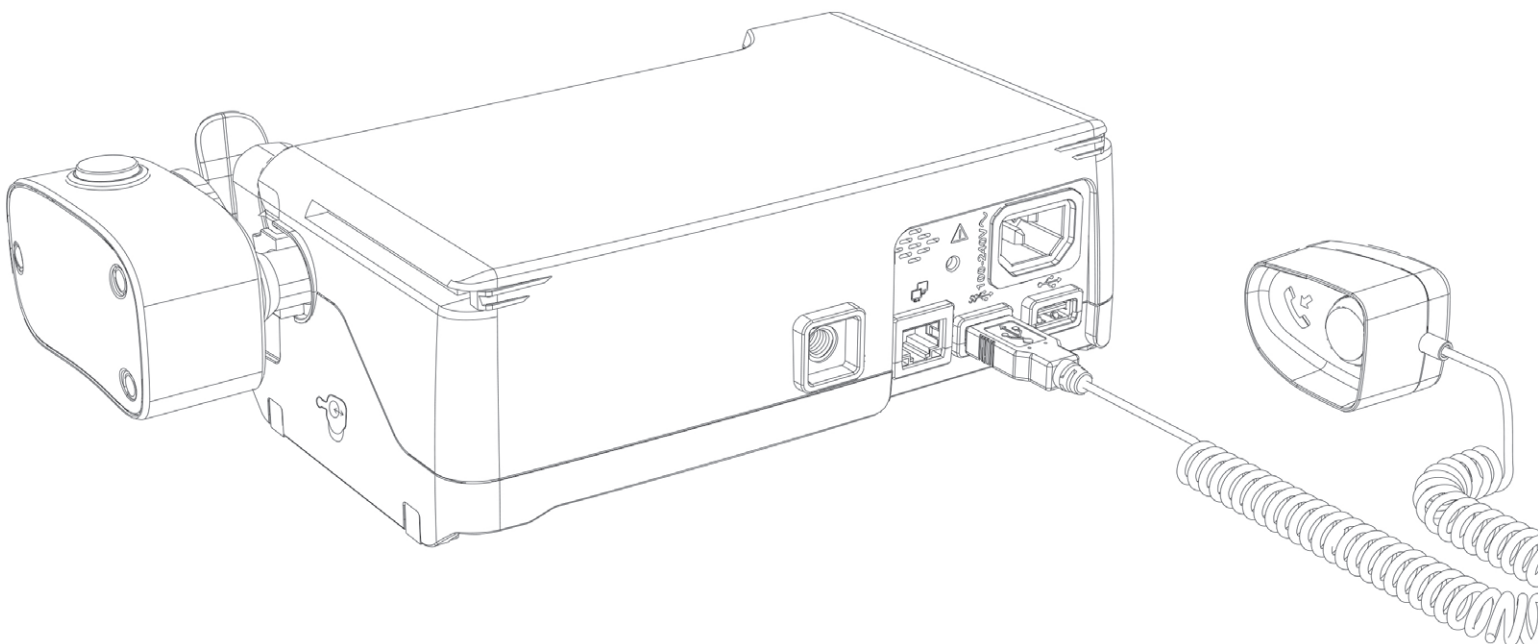


Nurse Call

The nurse call button can be connected to the USB 3.0 port of the Pump. After a patient presses the nurse call button at the bedside, the Pump gives a sound prompt.

Order Code

PN **1199-00091-01**





BD neXus Spare Parts

BD neXus V700 Infusion Pump

Spare Parts

Electrical Parts Listing

Part Number	Description	Notes
12020068101	Infusion Pump Screen with Button Board	
12020135001	Backboard Socket Components	
12040000501	Infusion Pump Motor Speed Detection Board	
12040005101	Tube Detection Board	
12040005201	Pump Finger Position Detection Board	
12040005401	Downstream Occlusion Detection Board	
12040005501	Anti-Free Flow Clamp Detection Board	
12040007202	Upstream Occlusion Detection Board	
12040034602	Infusion Pump Main Board	
12040046101	Pump Wifi Board	
14550000301	Speaker	
14620000901	Pump DC Power Cable	
14620001301	Downstream USB Cable	
14620001701	Motor Speed Detection Board Cable	
14620003801	AC/DC Outlet Cable	
14620009201	FFC from UI Control Board to Mainboard	FFC from Display to Main Board
14620009501	Downstream Occlusion FFC	
14620009601	Motor Speed Detection FFC	
14620010001	Downstream Occulsion Cable	
14620010101	Upstream Occlusion Cable	
14620010201	Pump Finger Position Detection Board Cable	
14620081901	Cable from Interface Board to Mainboard	Cable from Display to Main Board
14640002601	Pump Power Board	

BD neXus V700 Infusion Pump

Spare Parts

Casing Parts Listing

Part Number	Description	Notes
12020068301	Door Back Cover Assembly	Rear Cover of Door
14040005203	Bottom Cover	Lower Shell
14040005301	Bottom Shell FPC Cover	Lower Shell FFC Cover
14040005402	Top Cover	Upper Shell
14040006902	Front Cover	

Mechanical Parts Listing

Part Number	Description	Notes
12020004701	Infusion Pump Screen with Button Board	
12020067501	Upstream Tube Detection Assembly	
12020067601	Downstream Tube Detection Assembly	
12020067701	Anti-Free Flow Components	
12020067801	Occlusion Pressing Module	
12020067901	Door Motor Assembly	
12020123001	Door Sensor	Door Potentiometer
14600000901	Motor	
14600006101	Infusion Pump Door Motor	
14040063701	Release Lever	

BD neXus V700 Infusion Pump

Spare Parts

Miscellaneous Parts Listing

Part Number	Description	Notes
11990006601	Drop Sensor	
11990009101	Nurse Call Button	
11990009201	Internal Battery Pack	
11990009301	AC Power Lead – European	
11990009401	AC Power Lead – UK	
12020000301	Pump Pole Clamp	
14040006602	Slide Unit	
14040025602	Close Consumable Plate	
14040030201	FPC Protective Film	
14040063701	Release Lever	
14040067901	Single Pump Carry Handle	
14040068801	Middle Plate	
14050011101	Round Plug	
14050011201	Round Plug for Door Cover	
14090022001	Infusion Pump Front Panel	
14190000801	Infusion Pump Door Magnet	
14190008601	Touch Pen	Stylus
14480000202	Air Bubble Sensor Module B	
14480000302	Air Bubble Sensor Module A	
14620075301	Aviation Connector (Male)	
14050000701	USB Plug	
14610002001	Electrical safety test USB connector	

BD neXus S700 Syringe Pump

Spare Parts

Electrical Parts Listing

Part Number	Description	Notes
12020059301	Syringe Pump Screen with Button Board	
12020060701	Size Sensor with Cable	Potentiometer for Syringe Size
12020134801	Rear Panel Socket Assembly	
12040000402	Syringe Pump Motor Speed Detection Board	
12040004001	Displacement Detection Board	
12040004102	Clutch Board	
12040034502	Syringe Pump Main Board	
12040046101	Pump Wifi Board	
14550000301	Speaker	
14620000901	Pump DC Power Cable	
14620001701	Motor Speed Detection Board Cable	
14620003801	AC/DC Outlet Cable	FFC from Touchscreen to Main Board
14620009201	FFC from UI Control Board to Mainboard	
14620009301	Displacement Detection Board FFC	
14620009401	Clutch Board FFC	
14620009601	Motor Speed Detection FFC	Cable from Touchscreen to Main Board
14620081901	Cable from Interface Board to Mainboard	
14640002601	Pump Power Board	

Casing Parts Listing

Part Number	Description	Notes
12020059201	Drive Head Cover	Orange cover for Drive Head
12020066801	Bottom Cover Assembly	Lower Shell
14040007303	Top Cover	Upper Shell
14040007502	Front Cover	Front Shell
14040007602	Door Back Cover	Rear Cover of Panel with Keyboard
14040008001	FFC Cover	

BD neXus S700 Syringe Pump Parts

Mechanical Parts Listing

Part Number	Description	Notes
12020058401	Clutch Button Assembly	Clutch button on Drivehead
12020058502	Push Button Assembly	Pressure button on drivehead
12020058901	Drive Head Cover Assembly	Full Drive head assembly
12020060802	Whole Stroke Distance Sensor	Potentiometer for Drive Head position
12020061101	Claw Motor Assembly	
12020066001	Motor Driving Assembly	Drive head and Chassis Assembly
12020066501	Middle Plate Assembly	Front Shell and Syringe Clamp assembly
14010002401	Claw Motor Gear	
14030004701	Upper Claw	
14030004801	Lower Claw	
14040063701	Release Lever	
11990009301	AC Power Lead - European	
11990009401	AC Power Lead - UK	

BD neXus S700 Syringe Pump Spare Parts

Miscellaneous Parts Listing

Part Number	Description	Notes
11990009101	Nurse Call Button	
11990009201	Internal Battery Pack	
11990009301	AC Power Lead – European	
11990009401	AC Power Lead – UK	
12020000301	Pump Pole Clamp	
12020092801	Pressure Sensor with Cable	
14040007901	Fixed Plate for Clip	Syringe Clamp flange holder
14040030201	FPC Protective Film	
14040064201	Clip for Syringe	Syringe Clamp
14040064301	Orange Round Plug for Drive Head	Screw Cover for Drive Head
14040067901	Single Pump Carry Handle	
14050011101	Round Plug	Screw Cover
14050011201	Round Plug for Door Cover	Smaller Screw Cover
14090022201	Syringe Pump Front Panel	
14190003401	Syringe Pump Door Magnet	
14190008601	Touch Pen	Stylus
14600000901	Motor	
14620075301	Aviation Connector (Male)	
14050000701	USB Plug	
14610002001	Electrical safety test USB connector	
63010004801	Small Calibration Tool for Distance Sensor	
63010008001	Big Calibration Tool for Distance Sensor	

BD neXus DS700 Infusion Workstation - DS700-00 Control Unit Spare Parts

Electrical Parts Listing

Part Number	Description	Notes
12040004701	Alarm Indicator Board	
12040034702	Workstation Main Board	Control Unit Main Board
14550000301	Speaker	
12040050101	Workstation Wifi Board	

Casing Parts Listing

Part Number	Description	Notes
14040010701	Controller Bottom Cover	Bottom Shell of Control Unit
14040010801	Controller Back Shell	Rear Cover Assembly of Control Unit
14040063201	Top Shell of Cabinet Cover	Top Shell of Control Unit
14040063401	Workstation Handle	Control Unit Handle

BD neXus DS700 Infusion Workstation - DS710-00 Stacking Unit Spare Parts

Electrical Parts Listing

Part Number	Description	Notes
12020025101	Workstation Power Board	
12020069001	Four USB Ports with Cable	
12020069101	Top USB Port of Cabinet Body	
12040004302	Relay Control Board	Main Board for Stacking Unit
14620014403	Workstation AC-DC Power Input Cable	

Casing Parts Listing

Part Number	Description	Notes
14040063102	Back Cover of Cabinet Body	Back Shell of Stacking Unit
14040010602	Front Shell of Cabinet Body	Front Shell of Stacking Unit

Mechanical Parts Listing

Part Number	Description	Notes
12020001701	Workstation Pole Clamp	
12020065501	Fan Assembly	
12020068901	Snap Joint for Clamp Holder	
12020069301	Rotary Knob Assembly	
14040000601	Top USB Clamp	
14040000701	USB Pressing Plate of Box	
14040012401	Clamp Holder	
14040064401	Tube Clamp	
11990009301	AC Power Lead - European	
11990009401	AC Power Lead - UK	

BD neXus DS700 Infusion Workstation - DS710-00 Stacking Unit Spare Parts

Miscellaneous Parts Listing

Part Number	Description	Notes
11990009301	AC Power Lead – European	
11990009401	AC Power Lead – UK	
14050001601	Seal Cover for Cab. Cover Interface Port	
14050011101	Round Plug	Screw Covers
14050000701	USB Plug	USB bung
14610002001	Electrical safety test USB connector	
14900010601	Workstation Waterproof Cover	

BD neXus

Medication Safeware

Part Number	Description	Notes
11990009501	UART Cable	Used for connecting to Medication Safeware
11990009601	Hardware Dog	Watchdog for Medication Safeware

BD neXus

Directions For Use

BD neXus V700 Infusion Pump DFU

BD neXus V700 Infusion Pump DFU - English

H-1480-00586-01

BD neXus S700 Syringe Pump DFU

BD neXus S700 Syringe Pump DFU - English

H-1480-00585-01

BD neXus DS700 Infusion Workstation DFU

BD neXus DS700 Infusion Workstation DFU - English

H-1480-00603-01

BD neXus Medication Safeware DFU

BD neXus Medication Safeware DFU - English

H-1480-00619-01

Abbreviations Used in Parts Lists

Assy	Assembly
Bd	Board
Cali	Calibration
CU	Control Unit
FFC	Flat Flexible Cable
P Clamp	Pole Clamp
Pot	Potentiometer
Protect	Protection
Pwr	Power
Sen	Sensor
SU	Stacking Unit
S/W	Software
Syr	Syringe
UI	User Interface



Scan for more information

To learn more, contact your BD representative.



MEDCAPTAIN MEDICAL TECHNOLOGY CO., LTD.,
12th Floor, Baiwang Research Building,
No.5158 Shahe West Road, Xili, Nanshan,
518055 Shenzhen, Guangdong,
PEOPLE'S REPUBLIC OF CHINA

Becton, Dickinson U.K. Limited, 1030 Eskdale Road,
Winnersh Triangle, Wokingham, RG41 5TS

ip.bd.com/BD-neXus-UK

BD, the BD Logo, and Guardrails are trademarks of Becton, Dickinson and Company or its affiliates.
© 2024 BD. All rights reserved. (BD-130233)

